

A**135 mm****B**

MOUNTING INSTRUCTIONS / TEMPLATE

THE DRYER MUST BE PROPERLY EARTHED.
FOR FIXED INSTALLATION, CONNECT VIA CIRCUIT BREAKER.

MOUNTING INSTRUCTIONS:

1. Attach this mounting instruction sheet / template to the wall with tape. Recommended installation height is 115 cm from the floor to holes C and D (95 cm for children or the disabled). Do not mount directly above sink or the like.
2. Drill 4 holes (A, B, C, D - 8 mm diameter, 35 mm deep).
3. Remove the mounting instruction sheet from the wall. Hammer the dowels supplied into the four holes.
4. Remove the housing from the base plate. Pull the power cord at least 7 cm through the hole in the base plate. Secure the base plate to the wall.
5. Connect wires as follows:
 - A. Connect the live wire (red or brown) to the terminal block where marked "L".
 - B. Connect the neutral wire (blue or black) to the terminal block where marked "N".
 - C. Connect the green and yellow earth wire to the screw marked "⊕".

IMPORTANT: Do not lift the dryer by the electrical parts during installation.

6. Remount the housing onto the base plate and secure the housing properly. Test run the dryer.

281 mm

IMPORTANT! This product is covered by the WEEE regulations on the recycling and recovery of waste electrical and electronic equipment.



- This products is not to be treated as household refuse.
- This product must be recycled if possible.
- Contact local authorities for advice.
- The product may also be returned to the manufacturer/distributor free of charge. The manufacturer/distributor will ensure proper recycling/disposal.

12.5 mm

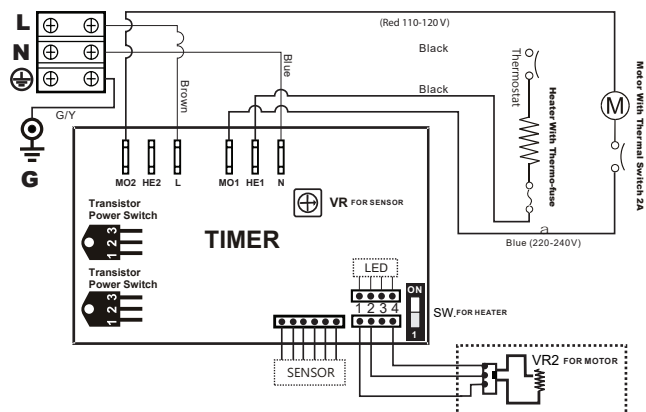
Ø 22 mm
HOLE FOR
CABLE
ENTRY

18.5 mm**D****RECOMMENDED INSTALLATION HEIGHT:****115 CM FROM THE FLOOR FOR ADULTS / 95 CM FOR CHILDREN AND THE DISABLED.****C**

No. Description

1	Housing
2	Terminal board, fixed plate
3	Tensile relief clamp
4	Terminal block
5	Earth screw
6	Shock absorber
7	Fan housing, top
8	Rubber gasket for fan housing (large)
9	Motor, 700 W
10	Rubber gasket for fan housing (small)
11	Heating element, 900 W
12	LED unit
13	Air outlet
14	Mounting bracket for sensor
15	Sensor
16	Mounting bracket for fan housing
17	Base plate
18	Potentiometer
19	Mounting bracket for potentiometer
20	Timer
21	Fan housing, bottom
22	Housing screw (2 pcs.)
23	Allen key for housing screws

WIRING CHART



COMPONENTS CHART

